

Cabinet Type **Multideck Full Height Chilled Air**

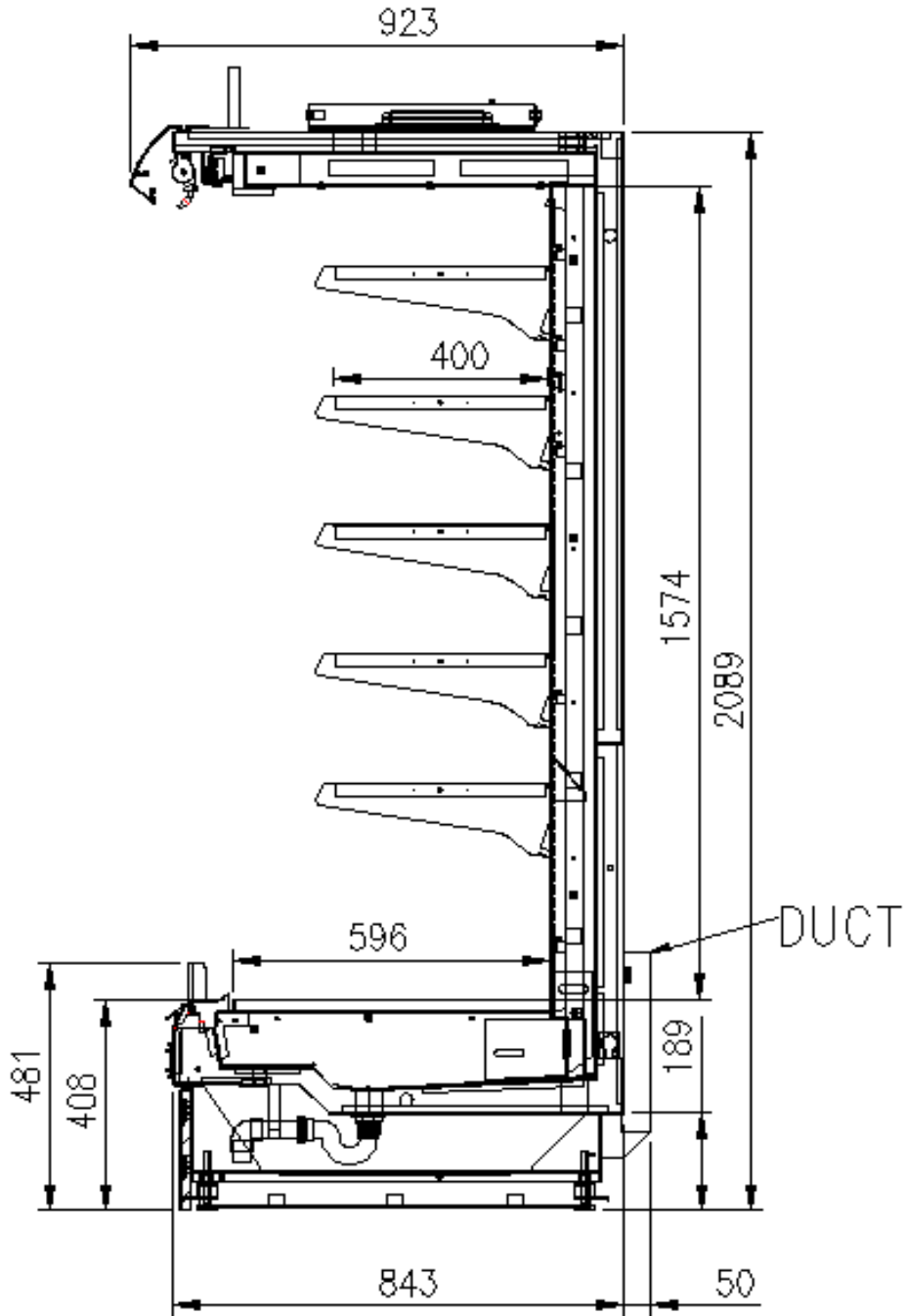
Model Designation **PA**

File Reference **PA-HC AC-2090**

Document Issue			
1	29/05/2012	LRC	
2	21/03/2013	LRC	
3	26/03/2013	LRC	
4	08/11/2019	IP	
5	14/04/2021	IP	

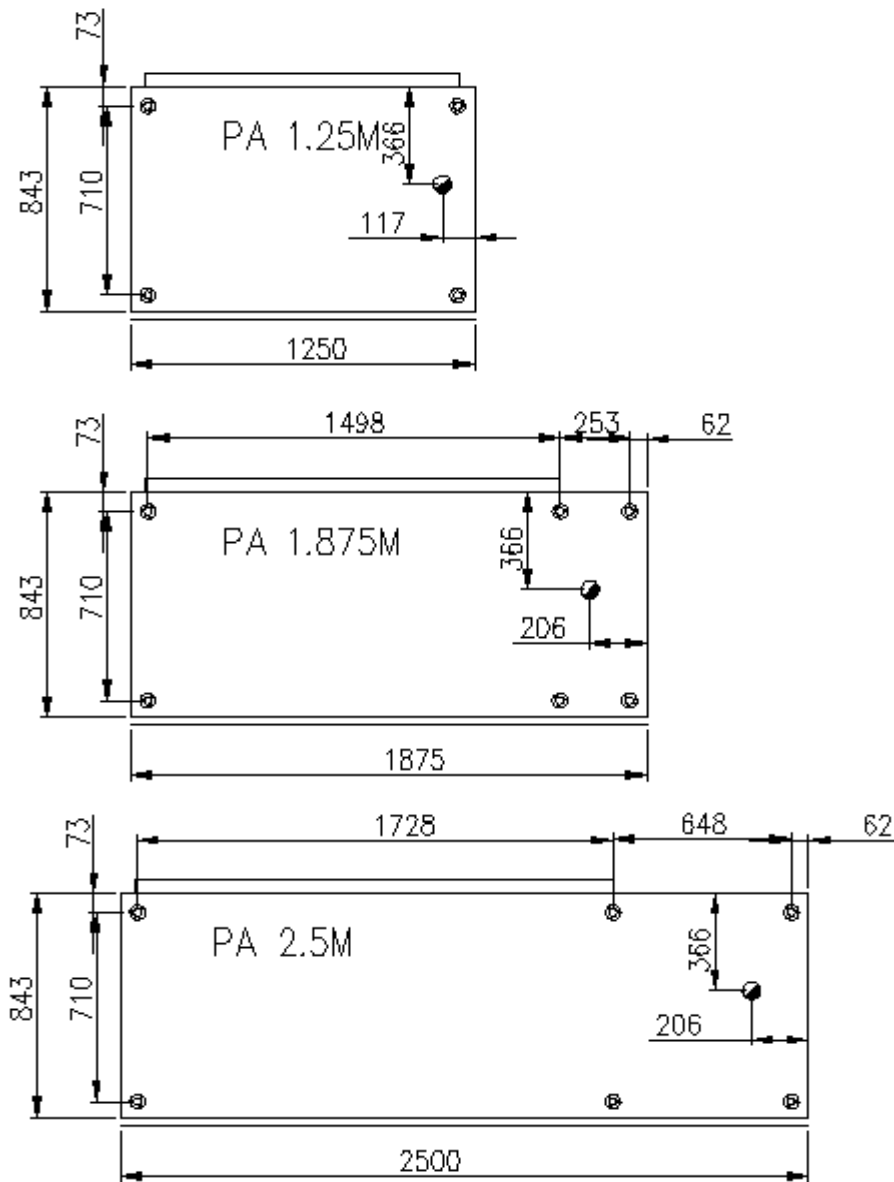
cabinet **TECHNICAL DATA**

Section Drawing – PA




[Return to Contents](#)

Plan Drawing --PA



Key

-  Refrig Outlet
-  Mains Supply
-  Foot Position
-  Drain Outlet
-  Electrical Outlet

[Return to Contents](#)

Cabinet Type **Multideck Full Height Chilled Air**
 Model Designation **PA**
 File Reference **PA-HC AC-2090**

Set Up Data** Off Cycle Defrost	Meat	Dairy
Control Temperature Day	3	4
Cut Out Temperature	1	2
Cabinet Temp ratio	40	40
Anti- Cycle Timer (Seconds)	180	180
Lag CompressorDelay (If Applicable)	180	180
No Defrost in 24hrs	8	8
Max Defrost Duration (Mins)	45	45
Defrost Termination Temp C (Case Air Off)	8	8
Drain Down Time (Mins)	1	1
Fans in Defrost	On	On
Integral Control	Basic	Basic

** Set up data for guidance only. Final settings to be determined by commissioning personnel

[Return to Contents](#)