

Cabinet Type **Multideck Full Height Chilled Air**

Model Designation **EE**

File Reference **EE-HC R290-AC-2004**

Document Issue	1	10/02/2020	NM
	2	10/02/2020	NM
	3	16/02/2021	IP

cabinet **TECHNICAL DATA**

Cabinet Type	Multideck Full Height Chilled Air
Model Designation	EE
File Reference	EE-HC R290-AC-2004

Contents

Technical Data -HFC Refrigerant	✓
Commissioning Data	✓
Section and Plan	✓
Critical Spares	

Carter Retail Equipment Contacts

Web Site:- www.cre-ltd.co.uk

Online Document



Main Office Tel :- 0121 250 1000
Email :- info@cre-ltd.co.uk

Cabinet Sales Enquiry Tel :- 0121 250 1000
Email :- info@cre-ltd.co.uk

Spares Enquiry Tel :- 0121 250 1000
Email :- spares@cre-ltd.co.uk

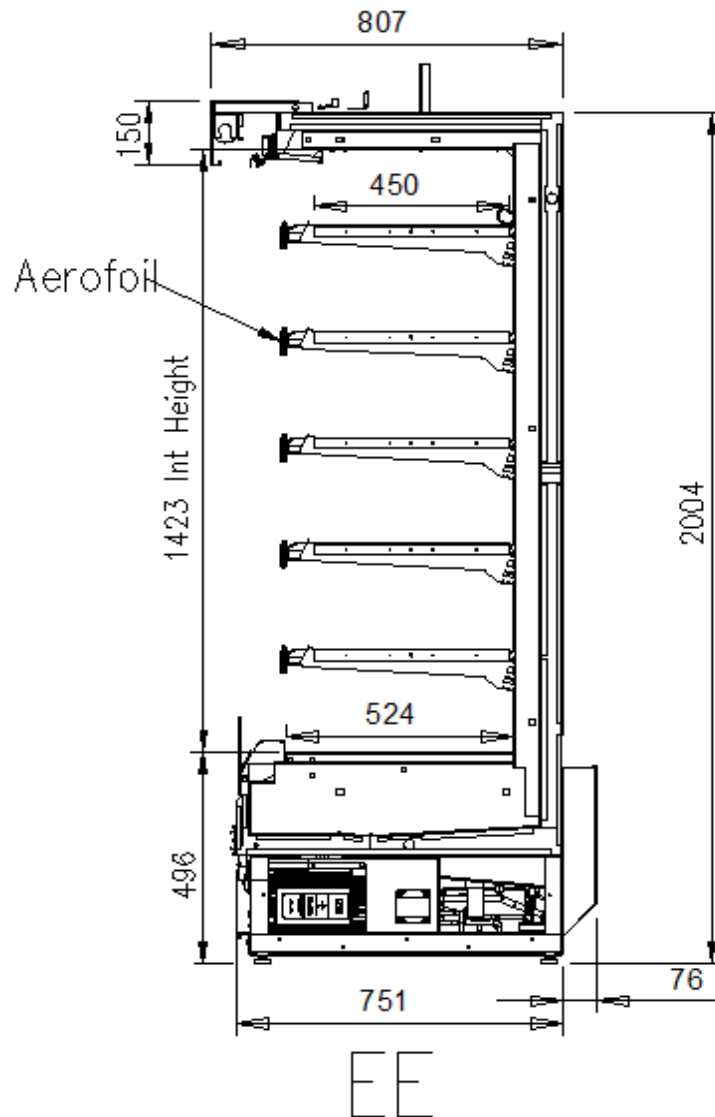
Technical Enquiry Tel :- 0121 250 1128

Cabinet Technical Data Sheet – EE-HC R290-AC-2004 R290

Product Type Meat 3M0 Dairy 3M1 +/-
 Product Temperature +4/-1 1
 Maximum Design Ambient ISO 3 25°C / 60% RH

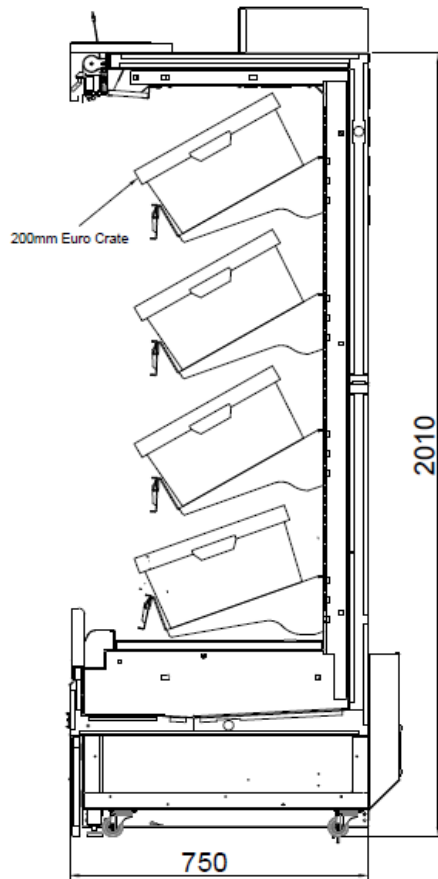
Case Length [m]	3.75	2.5	1.875	1.25		
Refrigeration Data						
Refrigerant Charge (Gramm's Per System)	TBC	550	TBC	TBC		
Refrigerant Type	R290	R290	R290	R290		
Nett Environmental Heating Effect (Kw)	4.08	3.60	2.72	1.83		
Nett Environment Cooling Effect [kW]	0.00	0.00	0.00	0.00		
Evaporating Temperature [°C]	0.00	0.00	0.00	0.00		
Emerson Valve						
Miscellaneous Data						
Refrigeration Connections	Integral					
Electrical Connection (Default Standard)	Underside of Cabinet LHS		230V 50 Hz		16A Commando Plug	
Drainage Connection	1 Off Central				Gravity / Self Evaportaive Option	
Condensate Volume ISO 3 Ltr per 24hr	76.5	51	38	25.5		
Cabinet Weight	495	375	283	153		
Max STD shelf loading	250 Kg/m2		Max Stiffened shelf loading			350 Kg/m2
Standard number of shelves per bay	5		Angle Options (Typical as Standard)			0° / 10° / 20°

Section Drawing – EE



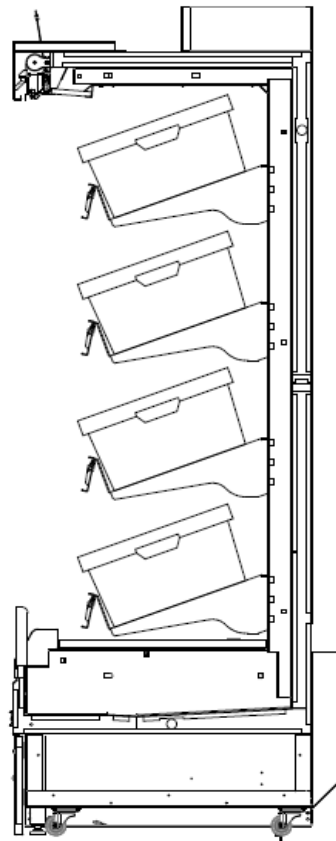
[Return to Contents](#)

Plan Drawing – EE



Produce

3 Shelves 30 Deg
1 Shelf 20 Deg

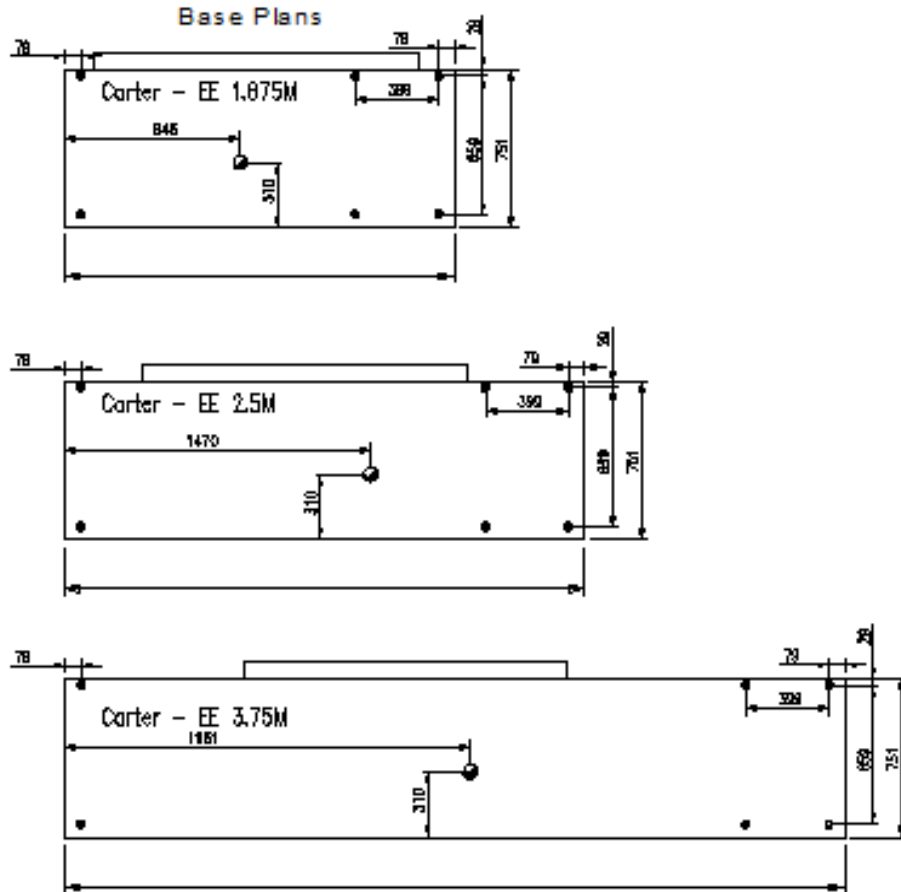


Produce

4 Shelves At 20 Deg

[Return to Contents](#)

Plan Drawing – EE



Key

-  Refrig Outlet
-  Mains Supply
-  Foot Position
-  Drain Outlet
-  Electrical Outlet

[Return to Contents](#)

Cabinet Type **Multideck Full Height Chilled Air**
Model Designation **EE**
File Reference **EE-HC R290-AC-2004**

Set Up Data** Off Cycle Defrost	Meat	Dairy	Produce
Control Temperature Day	2.5	3.5	5
Control Temperature Night	1.5	3	4
Cabinet Temp ratio	40	40	40
No Defrost in 24hrs	6	6	6
Max Defrost Duration (Mins)	45	45	45
Defrost Termination Temp C (Case Air Off)	7	7	7
Drain Down Time (Mins)	1	1	1
Fans in Refrigeration (RPM)	1000	1000	1000
Fans in Defrost (RPM)	1000	1000	1000
Integral Control	Inverter	Inverter	Inverter
Night Blind Control	Electric	Electric	Electric

** Set up data for guidance only. Final settings to be determined by commissioning personnel

[Return to Contents](#)