

Cabinet Type **Open Multi Deck - Medium Temperature**

Model Designation **ID – Remote**

Document Issue 3 February 3rd 2020 DR General updates to document

CABINET TECHNICAL DATA

Contents

Cabinet Technical Data Sheet	Pages 3 & 4
Cabinet Section Drawings – All Profiles	Page 5
Cabinet Base Plan Drawings	Page 6
Cabinet Top Plan Drawing	Page 7
Pipework Schematic	Page 8
Electrical Wiring Diagrams	Pages 9 & 10
Document Issue	Page 11
Cabinet Code Template	Page 12

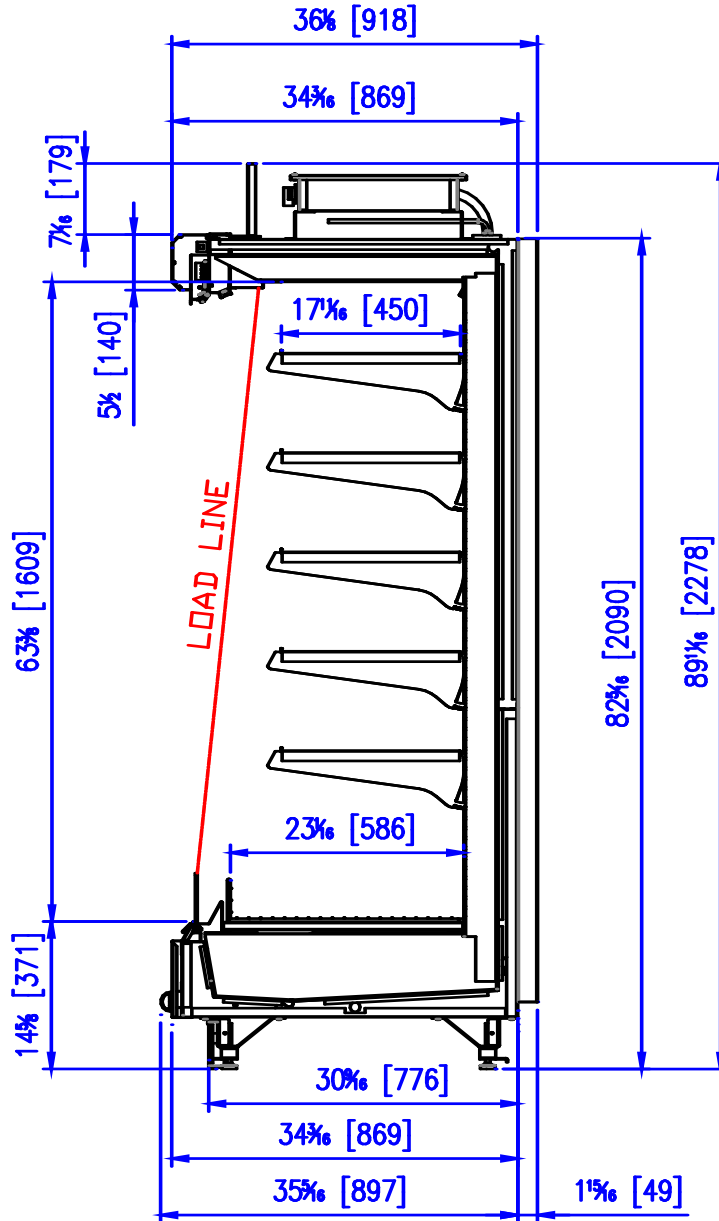
Cabinet Technical Data Sheet - ID - Remote.

Product Type	Meat/Dairy/Produce			
Maximum Design Ambient	75°F @ 55%RH			
Case Length	12FT (3660mm)	8FT (2440mm)	6FT (1829mm)	4FT (1220mm)
Refrigeration Data R449A				
Evaporator Case Load (BTU/24hr)	14,215	9,476	7,107	4,738
Electrical Data (110v 60hz) – with case controller	Amps	Amps	Amps	Amps
Fan Motors (EC EBM) (0.07a per motor)	0.42	0.28	0.21	0.14
Lights (LED – canopy and 5 shelves)	1.5	1.00	0.75	0.75
Controller - Dixell XM678D	0.08	0.08	0.08	0.08
AKV expansion valve	0.04	0.04	0.04	0.04
Kick Plate Fans	0.49	0.33	0.24	0.16
Total load MCA	2.04	1.73	1.32	1.17
MOPD	15	15	15	15
Electrical Data (110v 60hz) – no case controller	Amps	Amps	Amps	Amps
Fan Motors (EC EBM) (0.07a per motor)	0.42	0.28	0.21	0.14
Lights LED – canopy and 5 shelves)	1.5	1.00	0.75	0.75
Kick Plate Fans	0.49	0.33	0.24	0.16
Total Load – MCA	1.92	1.61	1.20	1.05
MOPD	15	15	15	15
Condensate pump where fitted to add 0.08a per case				
Miscellaneous Data				
Danfoss TE2 expansion valve - orifice	04	03	03	02
Danfoss AKV expansion valve – orifice	06	05	04	03
Evaporator refrigerant charge (lbs)	7.54	4.83	3.48	2.12
Refrigeration Tails	Liquid 3/8" Suction 7/8" Exit at Top Left of Cabinet			
Electrical Connections	Exit at Top Left of Cabinet			
Drainage Connection (base of case)	1 per case, each being 1 1/4" outlet reduced to Schedule 40 – see Plan Drawing (page 5) for location			

Cabinet Technical Data Sheet - ID - Remote.

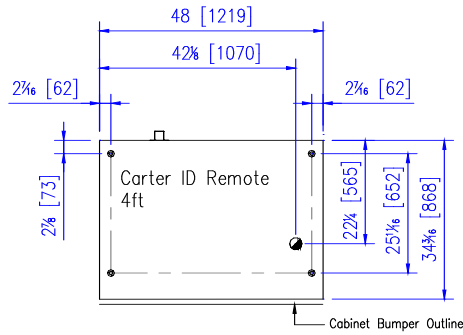
Set Up Data (guidance only)	Meat	Dairy/Produce
Set Point Temperature (Air off) [°F]	27	31
Differential (cut in above setpoint) [°F]	+6	+6
Evaporating Temperature [°F] (mean)	22	24
Air discharge ratio (air off)	100	100
No. Defrosts per 24hrs	6	6
Maximum Defrost Duration (minutes)	45	45
Defrost Termination Temp (air off) [°F]	47	47
Drain Down Time (mins)	0	0
Fans in Defrost	On	On

Section Drawings ID - Remote

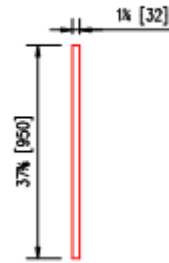


**Drawing Measurements:
 Imperial Inches (Metric Millimetres)**

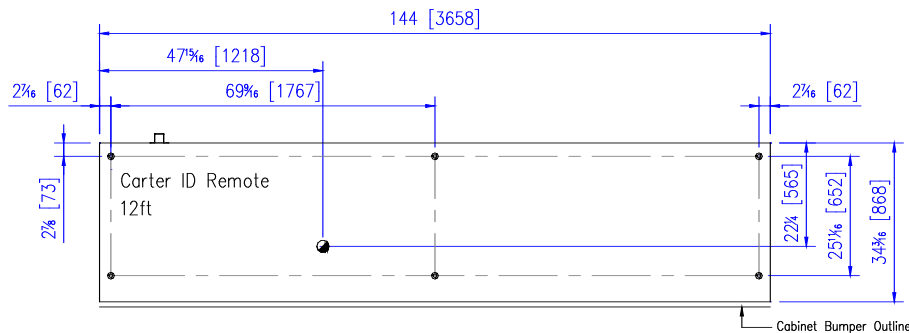
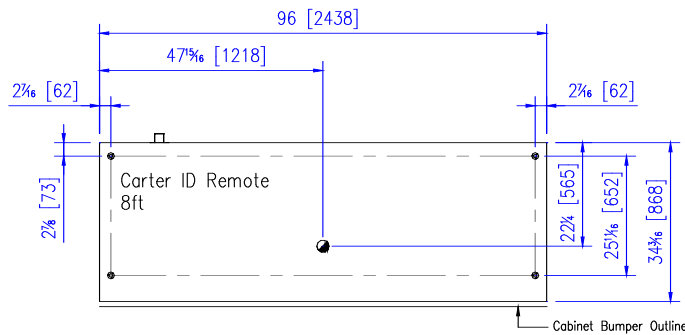
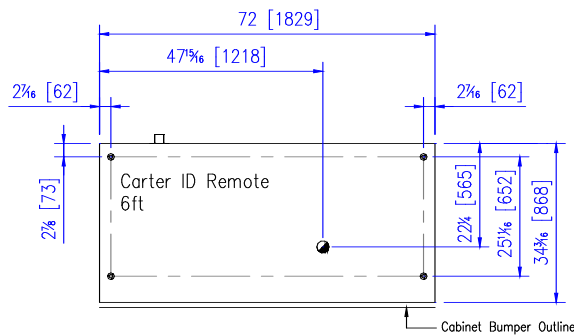
Base Plan Drawing - ID - Remote



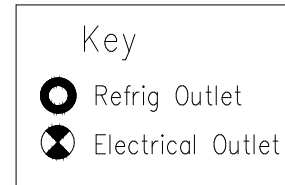
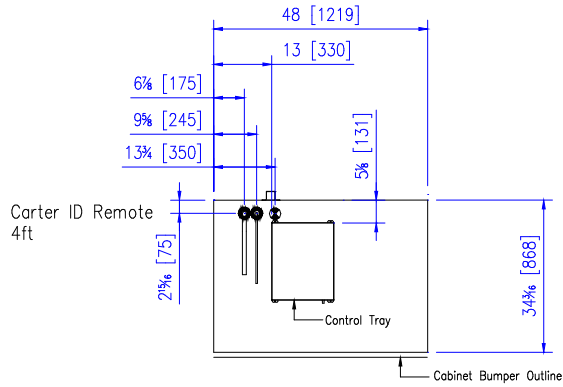
End Wall Plan



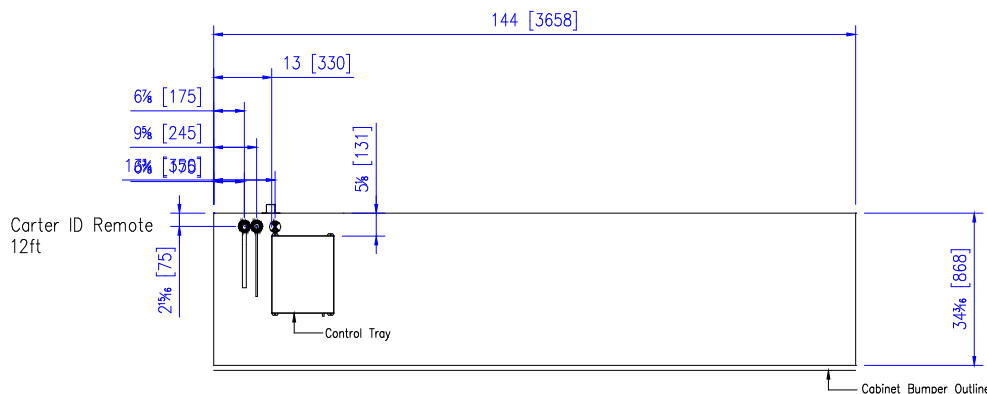
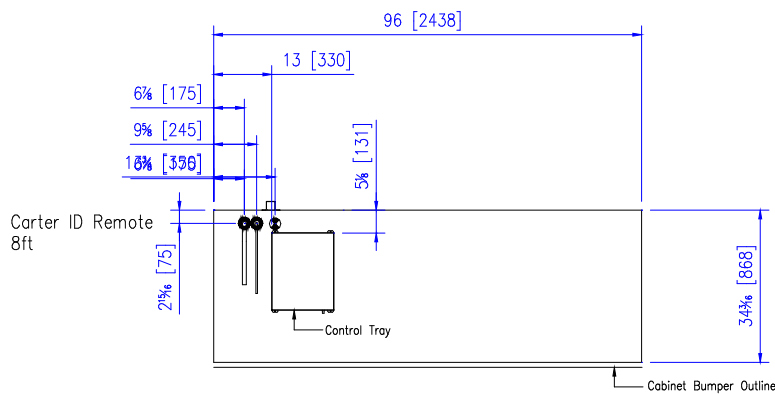
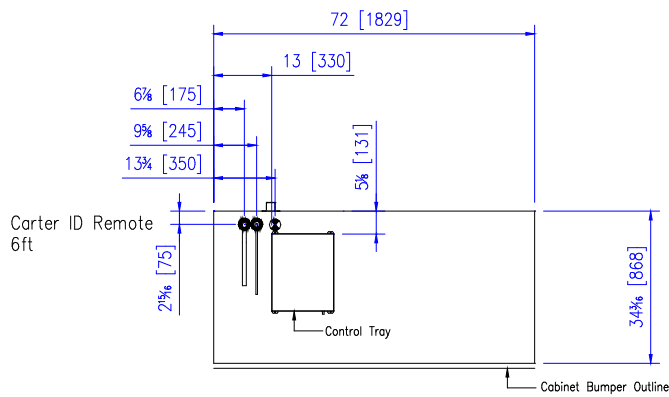
**Drawing Measurements:
Imperial Inches (Metric Millimetres)**



Top Plan Drawing - ID – Remote

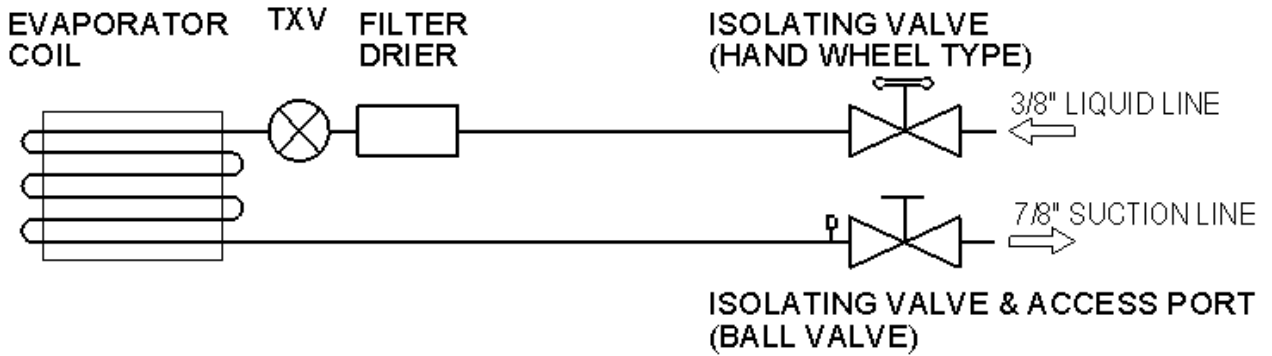


Drawing Measurements: Imperial Inches (Metric Millimetres)

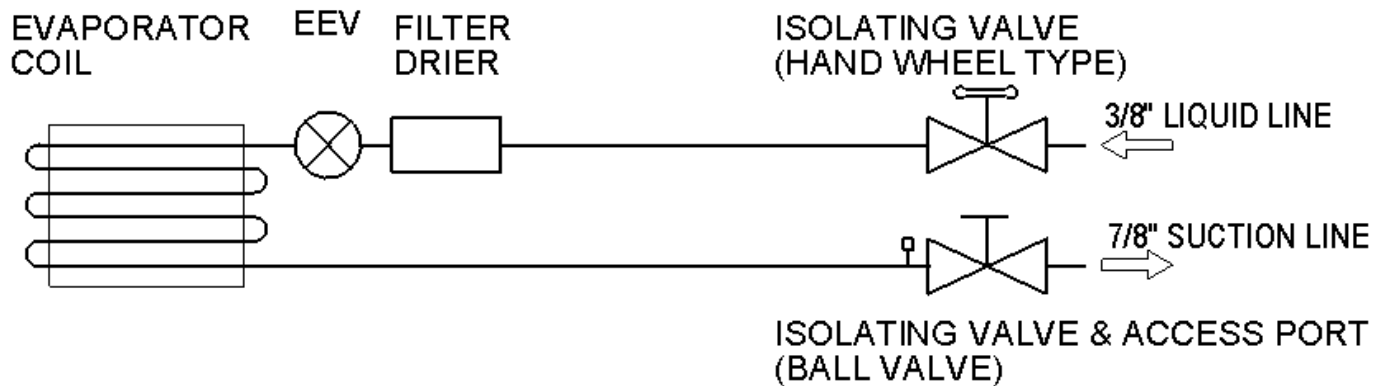


Pipework Schematic – ID – Remote

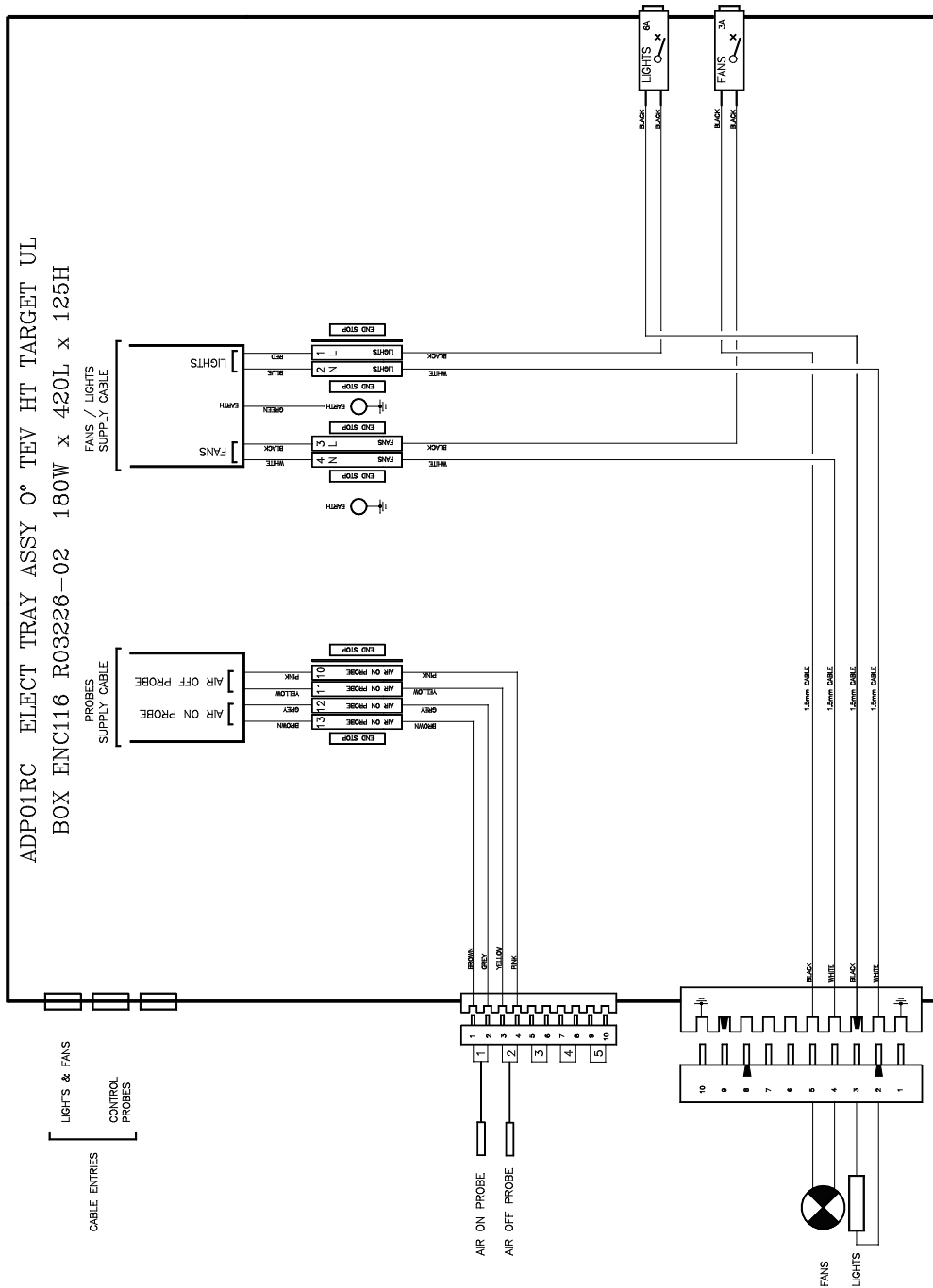
CIRCUIT DIAGRAM TYP
(NO CASE CONTROLLER)



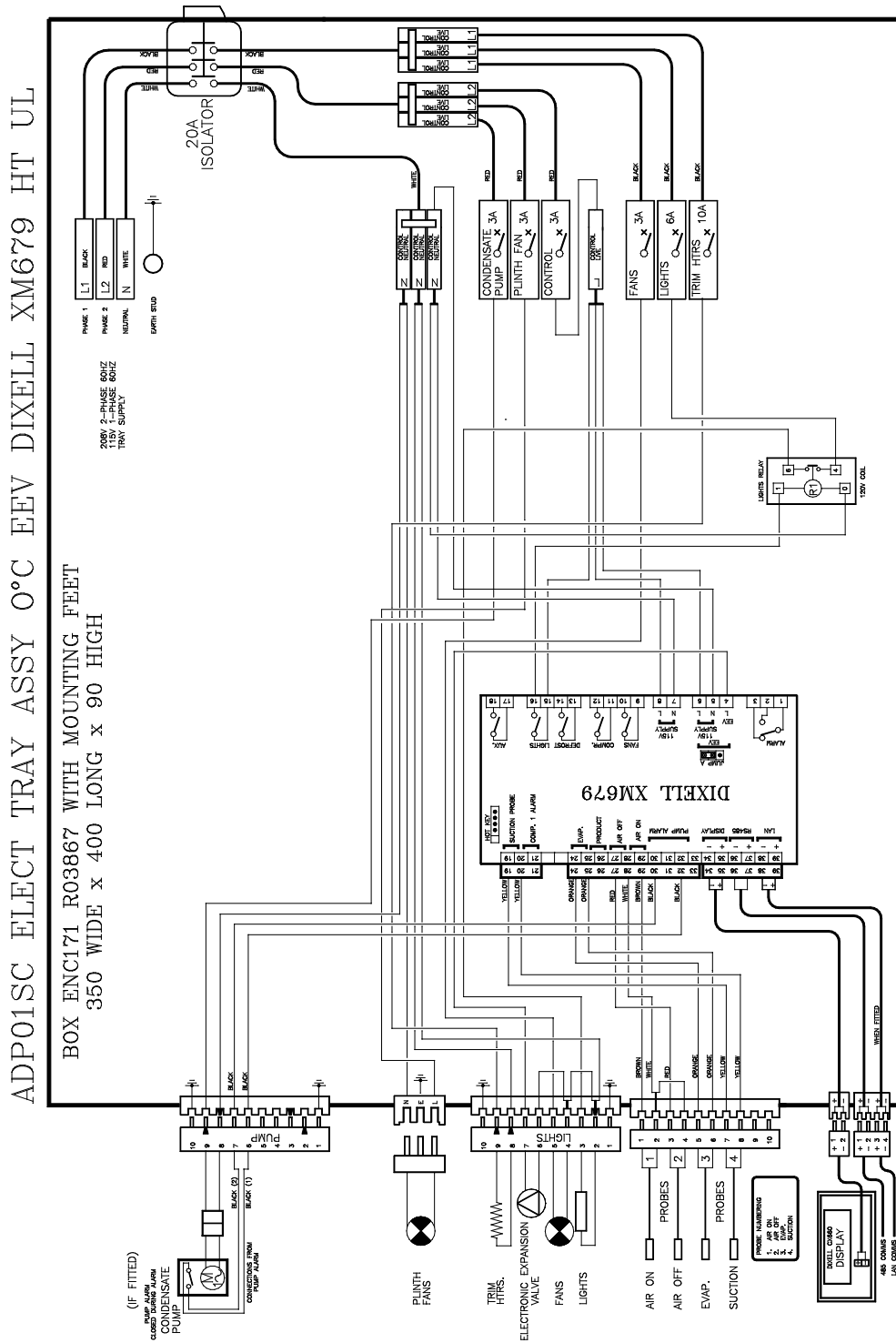
CIRCUIT DIAGRAM TYP
(WITH CASE CONTROLLER)



Electrical Wiring Diagram – ID – Remote – with NO case controller



Electrical Wiring Diagram – ID – Remote – with case controller



Document Issue

1	March 12th 2019	DR	First Issue
2	December 8 th 2019	DR	Pipework schematic added, Electrical drawing updated
3	February 3 rd 2020	DR	General updates from Target feedback

Cabinet Models Covered

Cabinet Model	Date Added	Refrigerant	Refrigerant	Refrigerant	Refrigerant
ID	March 12 th 2019	R449A			

Cabinet Code Template

Example of CRE case code letter designation:-

IDLBS7S00177

I – Model Identification
D – Model Identification
L – Design Revision
B – Length (see below)
S – Run Position (see below)
0 – Unique Identifier
0 – Unique Identifier
1 – Unique Identifier
7 – Unique Identifier
7 – Unique Identifier

Length Codes

1 – 1.25m	8 – 1.56m	F – 3.05m
2 – 1.5m	9 – 2.34m	G – 3.66m
3 – 1.7m	A – 3.12m	H – 45deg
4 – 1.87m	B – 3.90m	J – 1.829m
5 – 2.10m	C – 1.22m	
6 – 2.5m	D – 2.13m	
7 – 3.75m	E – 2.44m	

Run Position

S – Straight
W – End Case