

Top Level Generic High Temperature Cabinets

Case / Model No:	Description:
Generic High Temperature Cabinets	Condensate Pan Heater Assembly

SOP Number:	Date:	Rev:
SOP 653	12/11/20	1

Condensate Pan Heater Assembly.

Technical Information

Two Sizes of the drain pan assembly are fitted to the cases depending on case length; Pic 1

IDF 8FT Cases are fitted with;
 1 x Supco CP820; 208v 60Hz 1500w (7.21 Amp)
 Max Dissipation 12 Gallons per 24hrs

IDF 4FT Cases are fitted with ;
 1 x Supco CP802; 120v 60Hz 800w (6.6 Amp)
 Max Dissipation 6 Gallons Per 24hrs

Both units operate on a make on rise float switch to operate the heater element and are powered via a three pin plug directly from an outlet on the back of the control tray

Maintenance.
 Manufacturer recommend cleaning every 30 days, however water and cleaning products must **NOT** be poured down the main case drain to facilitate cleaning.

WARNING; TRAY MAY BE HOT AND HOT WATER PRESENT

- This can be achieved by;
- 1/ Isolating the case on the front of the control tray
 - 2/ Disconnecting and removing the fan assisted plinth
 - 3/ Loosen off the drain spigot nut and rotating the drain outlet away from the top of the tray. (Undo fully and remove 'P' Trap to clean. Recommended))
 - 4/ Pull the tray forward and disconnect the plug ensuring that the plug and sockets are kept dry
 - 5/ Tray can be removed for cleaning.
- Reassemble in reverse and ensure drain is in correct position and spigot nut is tight

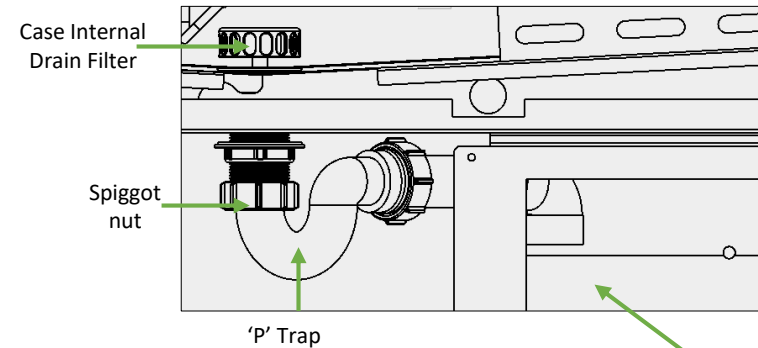
Note:
 Max ambient at 75°F and 55%RH for optimum results

* **Hard Copies Not Controlled - Ensure You Have Latest Issue**

Picture 1; Tray assembly

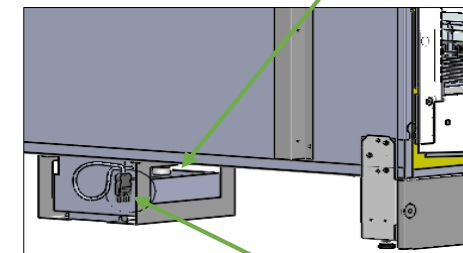
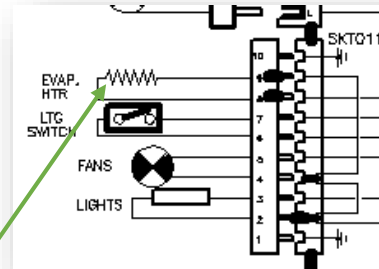


Picture 2; Drain Outlet

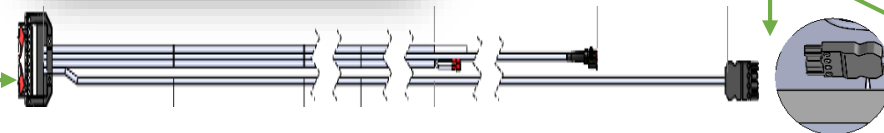


Heater Tray Assembly

Picture 3; Control tray Drain heater connections



Picture 4; Plugs



Top Level Generic High Temperature Cabinets

Case / Model No:	Description:
Generic High Temperature Cabinets	Condensate Pan Heater Assembly

SOP Number:	Date:	Rev:
SOP 653	12/11/2020	1

Condensate Pan Heater Assembly.

Fault Finding

A fault on the unit can be identified when excess water appears under the cabinet.

Faults may be caused by;

1/ Power Supply Failure

- Check all sockets to unit and Control Tray are in place correctly and there are no cable breaks
- Check power supply breaker is in the on position. If tripped, heater fault may be apparent

2/ Float Level

- Float level may require adjustment to energise heater at a lower level. **WARNING Unit must not run dry**

3/ Failure of the float Switch;

With unit isolated check continuity through the switch by removing the assembly lid and attaching continuity meter across the appropriate terminals. Manually operate the float and checking to see if the switch makes and brakes. Replacement of the microswitch will be required

4/ Failure of Heater.

The heater can fail in two ways.

- Open Circuit.
- As above (1) but check for continuity through the heater
- Earthing (Breaker Tripped)

Heater may have burnt out with a circuit to Earth In both instances the heater will require replacing

5/ Smells.

If smells occur this could be attributed to;

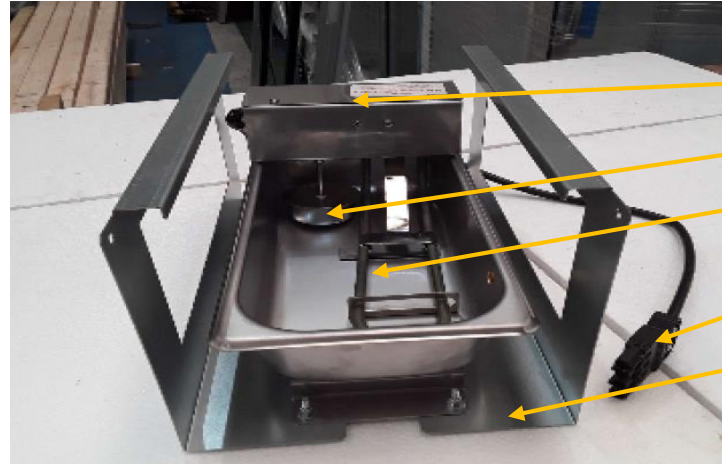
- Liquid case products such as milk entering the drain pan. Full tray and drain pipe clean will be required
- Debris on the heater for which tray will require cleaning
- Heater microswitch failure or float failure (failure due to hole and water filled) with heater on permanently

6/ Drain outlet

Check drain pipe fittings are tight and drain is correctly positioned. (Picture 2)

In most instances the Units are repairable and parts are replaceable

Picture 1; Tray assembly



- Service Lid
- Float
- Heater
- Plug and Lead
- Cradle Assembly

Picture 2; Drain outlet position

