

Cabinet Type **Multideck**

Model Designation **EEA**

File Reference

Document Issue				
	1	06.12.19	NM	First Issue
	2	02.03.20	NM	Electric Data Updated
	3	16.04.20	NM	Length variant options added

cabinet **TECHNICAL DATA**

Cabinet Technical Data Sheet – EEA

Product Type	Fresh Meat, Dairy and Produce
Product Temperature	-1°C / 4°C, -1°C / 5°C, -1°C / 12°C
Maximum Design Ambient	25°C 60%RH

Case Length [m]	3.75m	2.5m	1.875m
------------------------	--------------	-------------	---------------

Refrigeration Data

Nett Environmental Heating Effect Kw	TBC	TBC	TBC
Refrigerant Charge per System R290	TBC	550g	TBC

Electrical Data (individual loads 230v)	Watts	Amps	Watts	Amps	Watts	Amps
Fans	30	0.13	20	0.09	15	0.07
Controller	10	0.04	10	0.04	10	0.04
Canopy Lights	54	0.23	36	0.16	27	0.12
Boil Off Heater (Optional)	900	3.91	900	3.91	900	3.91
Night Blinds (4 minute run, Optional)	98	0.43	98	0.43	98	0.43
Condenser Unit Max(inc fans)	4533	19.7	2578	11.2	2578	11.2

Electrical Data (@230V 1ph 50Hz)	Watts	Amps	Watts	Amps	Watts	Amps
Maximum Load Normal Running	5615	24.4	3642	15.83	3642	15.83

Energy Data (3M1)	3.75	2.50	1.875
DEC (KW/day)	31.29	20.86	15.79
REC (kwh/day)	N/A	N/A	N/A
TEC (kw/day)	31.29	20.86	15.79
TDA (m2)	5.4	3.6	2.7
TEC/TDA (kwh/day/m2)	5.79	5.79	5.85

Miscellaneous Data

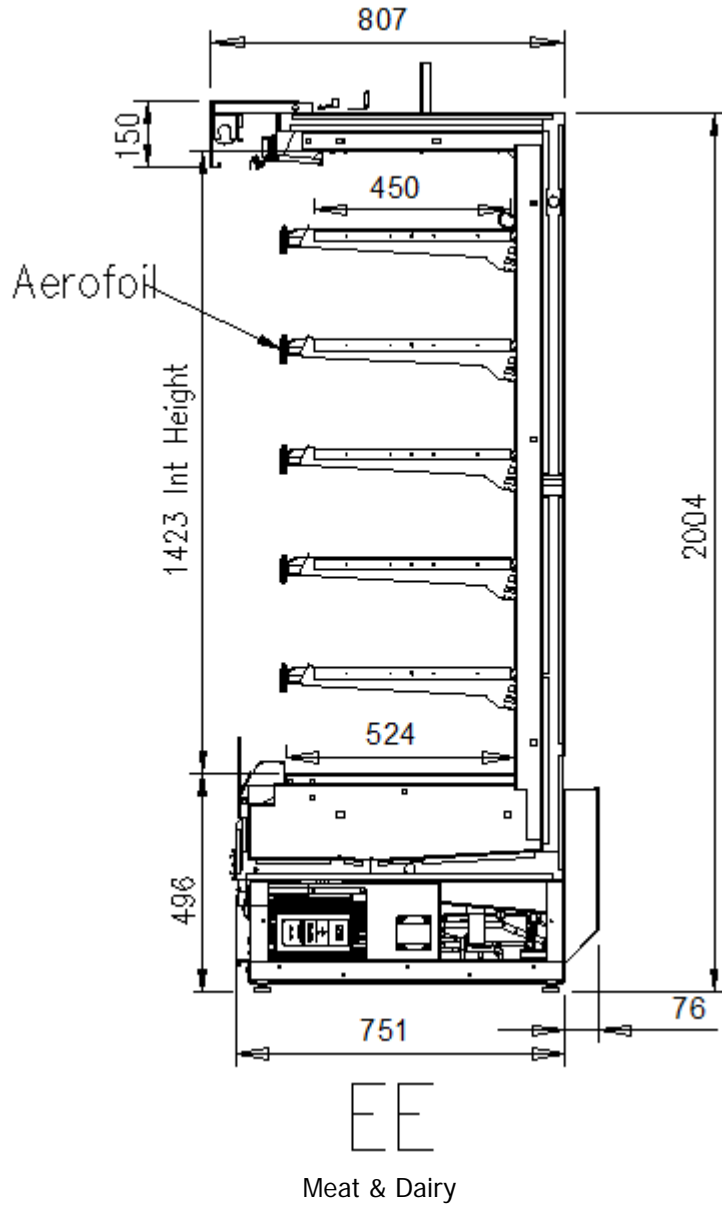
Condensate Pump	Optional
Control Panel	Bottom of Case LHS
Electrical Connections 1.875/2.5m	Bottom Rear of Cabinet LHS 16A Commando Plug
Electrical Connections 3.75m	Bottom Rear of Cabinet LHS Hard Wired

Set-Up Data**	Meat	Dairy	Produce
Control Temperature [°C] Day	2.5	3.5	5.0
Control Temperature [°C] Night	1.5	2.0	4.0
Cabinet Temperature Ratio (%)	40	40	40
N° Defrosts (per 24hrs)	8	8	8
Maximum Defrost Time [mins]	45	45	45
Defrost Termination Temp [°C]	7	7	7
Drain Down Time [mins]	2	2	2
Fans in Defrost	On	On	On
Integral Control	Inverter	Inverter	Inverter
Night Blind Control	Electric	Electric	Electric

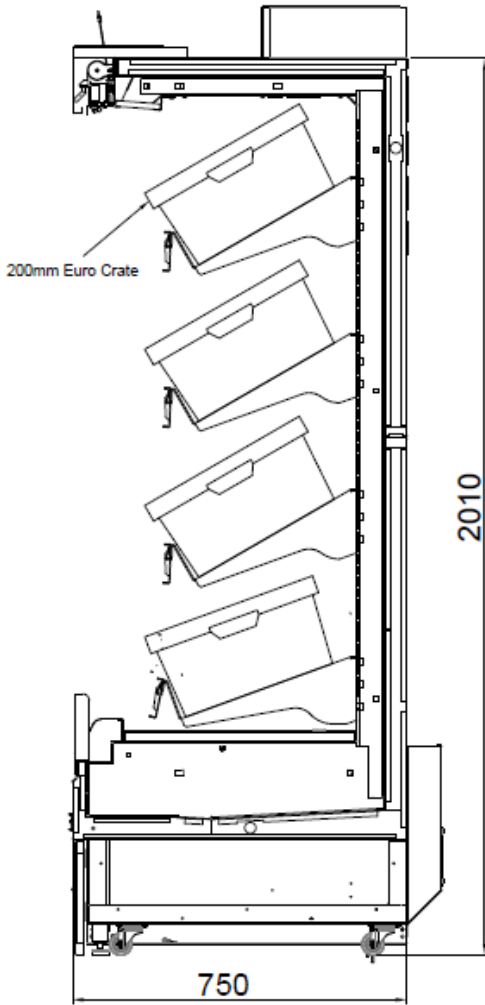
NOTES! * 12/12 Trading Conditions

** Set-up data is for guidance only. Final settings to be determined by commissioning contractor.

Section Drawing – EEA

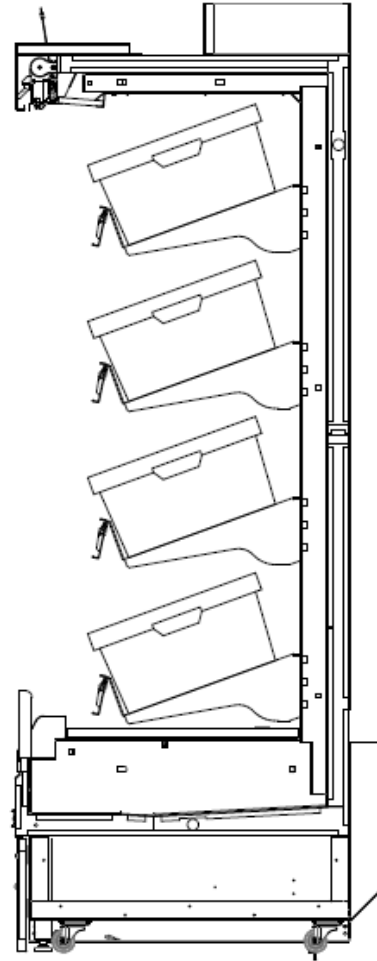


Section Drawing – EEA



Produce

3 Shelves 30 Deg
1 Shelf 20 Deg








Produce

4 Shelves At 20 Deg

Plan Drawing – EEA

Key

-  Refrig Outlet
-  Mains Supply
-  Foot Position
-  Drain Outlet
-  Electrical Outlet

